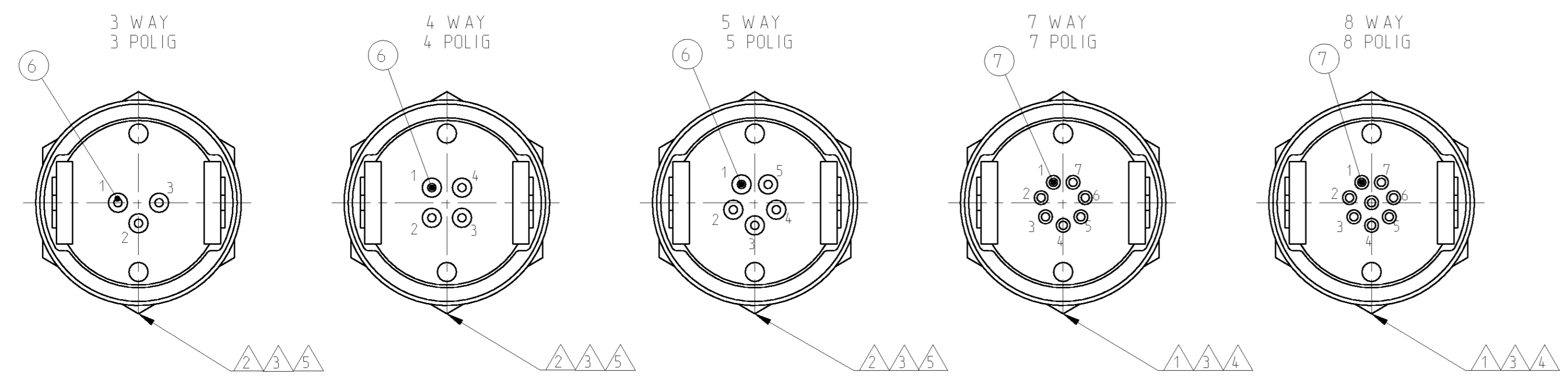
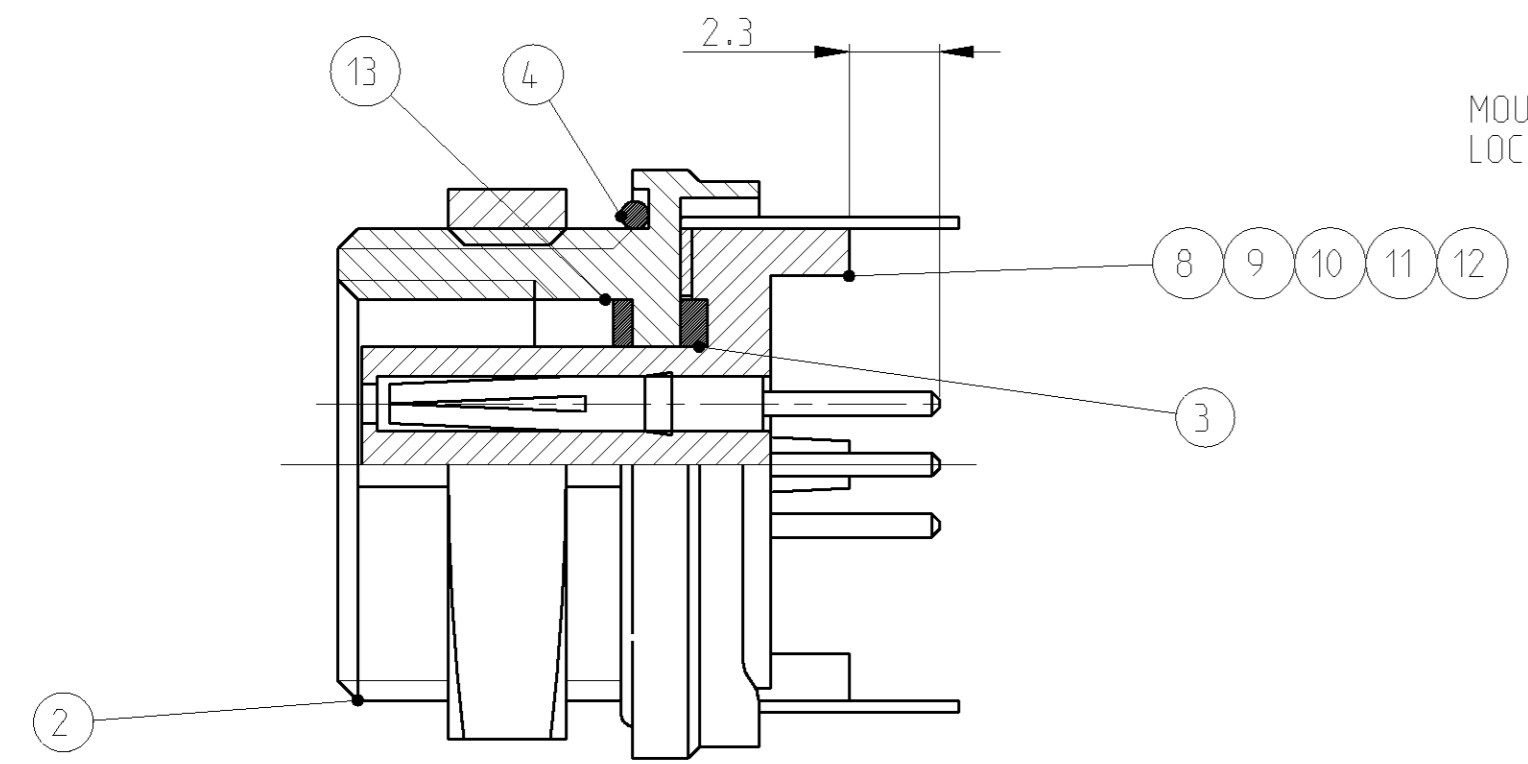
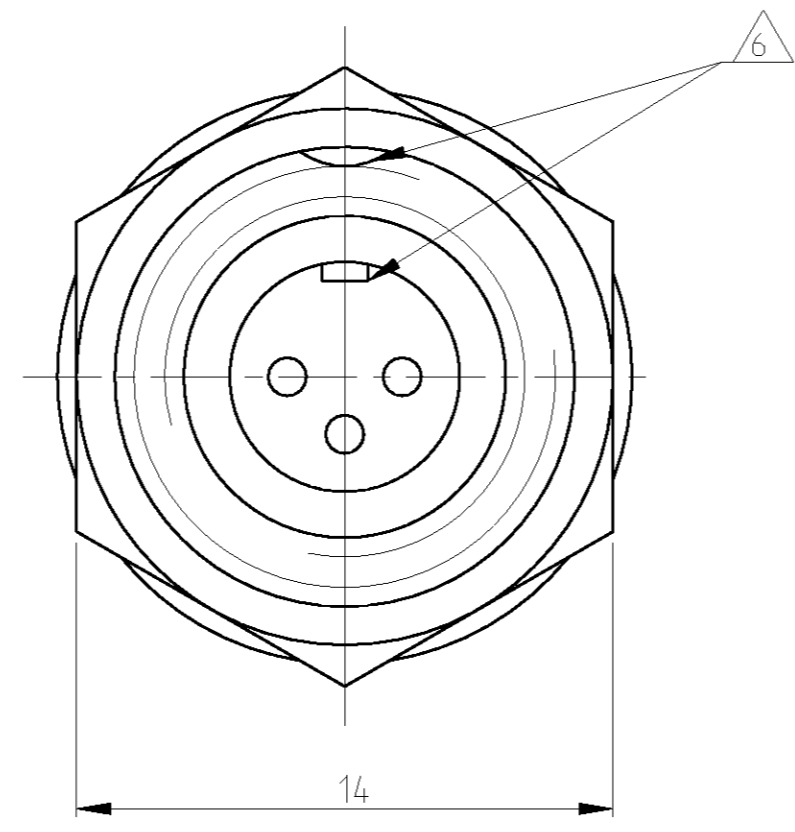
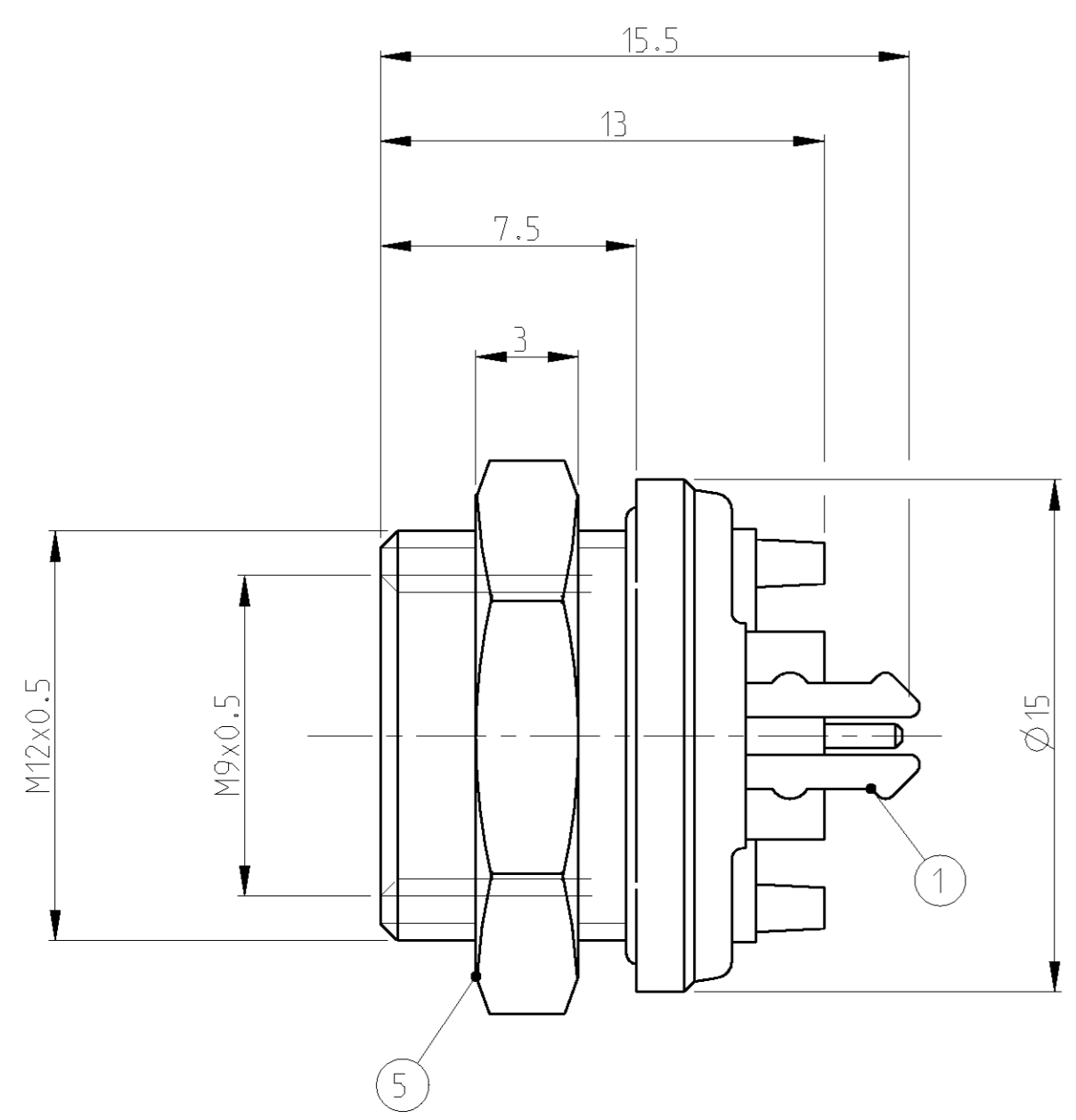
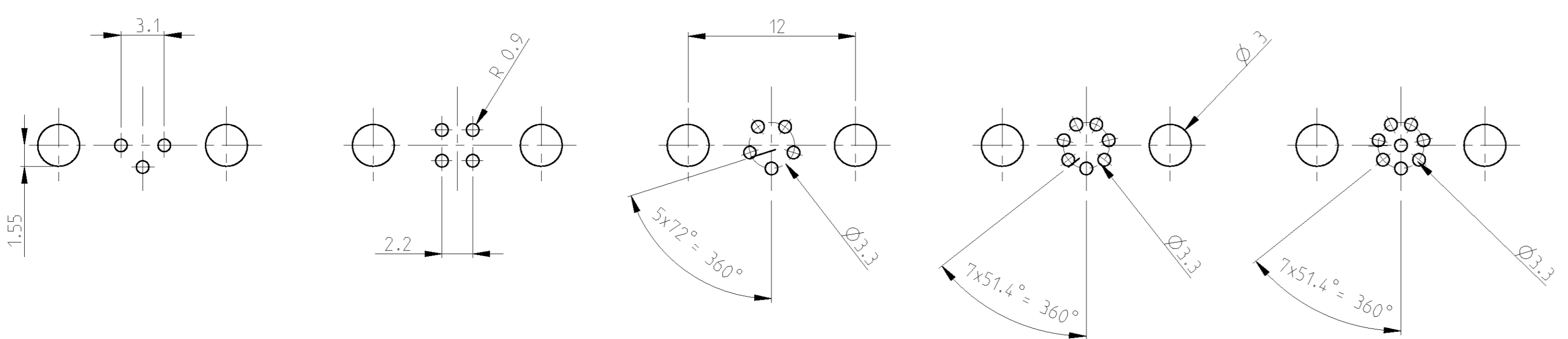


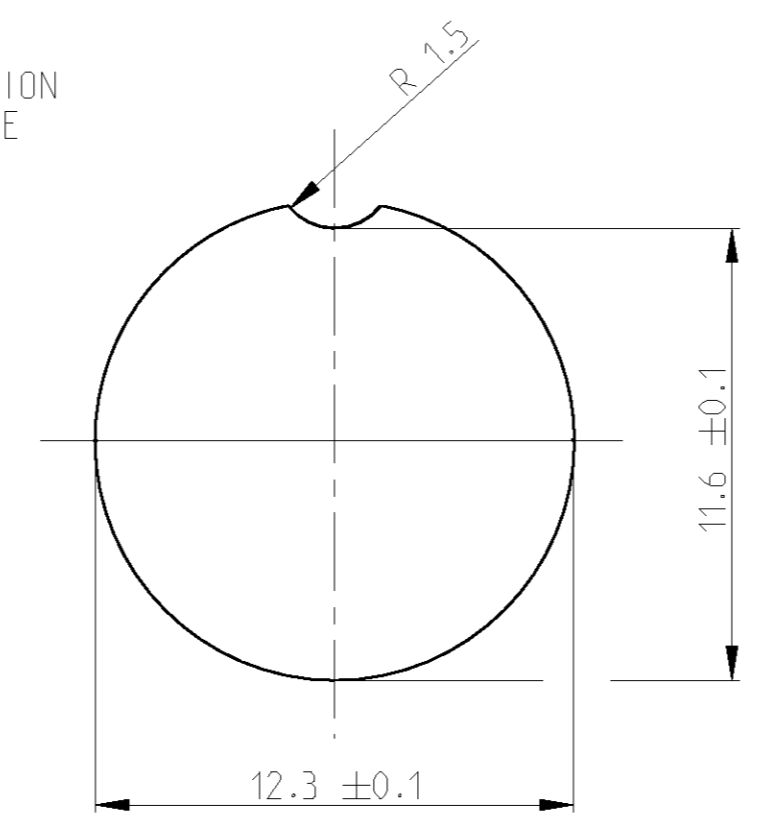
LOC	DIST	P	LTR	REVISIONS	DATE	DWN	APPR
				DESCRIPTION			
				ANÄNDERUNGEN			
				BESCHREIBUNG			
A1	-			EG00-0576-01	18JUN2001	NG	GF



PCB HOLES  
 PCB THICKNESS 1.6 mm MAX.  
 PCB LOCHBILD  
 PCB DICKE 1.6 mm MAX.



MOUNTING HOLE DIMENSION  
 LOCHBILD FUER MONTAGE



MATERIAL / MATERIAL: PBT, UL-94 V2	△1
SHELL MATERIAL / GEHAUEMATERIAL: CUZN	
FINISH / BESCHICHTUNG: TRIBOR 4 µm	
CODING / KODIERUNG	△6
WIRE GAGE / DRAHTGROESSE IN mm <sup>2</sup> : 0.25	△5
WIRE GAGE / DRAHTGROESSE IN mm <sup>2</sup> : 0.14	△4
CONTACT RESISTANCE / KONTAKTWIDERSTAND: => 5 mΩ	△3
RATED CURRENT PER CONTACT / NENNSTROM PRO KONTAKT: 3 A	△2
RATED CURRENT PER CONTACT / NENNSTROM PRO KONTAKT: 1 A	△1
SHELL PROTECTION CLASS / SCHUTZKLASSE: IP 65 / DIN 40050	
TERMINATION: SOLDERING / VERBINDUNG: LOETKONTAKTE	
TEST VOLTAGE / PRUEFSPANNUNG: 500 VAC	
OPERATING VOLTAGE / BETRIEBSSPANNUNG: 60 VAC	
OPERATING TEMPERATURE: -40°C TO +80°C / ARBEITSTEMPERATUR: -40°C BIS +80°C	
MATING CYCLES / STECKZYKLEN: 500 MAX.	
TECHNICAL DATA TECHNISCHE DATEN	

TYCO-NO. / TYCO NR.			
7-1437719-8			
7-1437719-5			
7-1437719-2			
6-1437719-9			
6-1437719-6			
1	1	1	1
1			
	1		
		1	
			1
8	7		
		5	4
1	1	1	1
1	1	1	1
1	1	1	1
1	1	1	1
1	1	1	1
-	-	-	-
QTY REQD PER ASSY			
CATALOG-NO.		DESCRIPTION / BESCHREIBUNG	
ITEM-NO. TEIL-NR.			
PARTS LIST / TEILE LISTE			
CATALOG-NO.		DESCRIPTION / BESCHREIBUNG	
ITEM-NO. TEIL-NR.			

THIS DRAWING IS UNCLASSIFIED EXCEPT FOR THE INFORMATION CONTAINED HEREIN. IT IS SUBJECT TO EXPORT CONTROL AND RESTRICTIONS ON REPRODUCTION AND DISSEMINATION. IT IS THE PROPERTY OF TYCO ELECTRONICS CORPORATION. ANY UNAUTHORIZED REPRODUCTION OR DISSEMINATION IS PROHIBITED. DIMENSIONS: TOLERANCES: UNLESS OTHERWISE SPECIFIED:		DWN: H. GEISLER 18JUN2001 CDR: H. SCHERER 18JUN2001 APVD: H. GEISLER 18JUN2001	tyco Electronics AMP GmbH D - 64625 Bensheim
0 PLC ±0.3 1 PLC ±0.25 2 PLC ±0.2 3 PLC ±0.15 4 PLC ±0.1 FINISH: UNLESS OTHERWISE SPECIFIED:		NAME: T01 FEMALE PLUG CONN. PANEL MNT. PCB VER. 3-8 POS. 180 DGR. T01 BUCHSENSTECKER.EINBAU.PCB VER. 3-8 POL. 180 GRAD	SIZE: A1 CAGE CODE: 00779 DRAWING NO.: 6-1437719-6 RESTRICTED TO: MGR PWR
MATERIAL: - WEIGHT: - CUSTOMER DRAWING		APPLICATION SPEC: - VERARBEITUNGSSPEZ.: - SCALE: - SHEET: 1 OF 1 REV: A1	SCALE: - SHEET: 1 OF 1 REV: A1

6-1437719-6 AS SHOWN  
 WIE GEZEICHNET